

6.0~16.0 bar.g

(8 bar.g)

-
-
-

15

| (kW) | | (rpm) | (m ³ /min) | (kW) | (kW/m ³ /min) | S.F. |
|------|------------|-------|-----------------------|-------|--------------------------|------|
| 7.5 | AA-077 () | 3420 | 1.0 | 7.3 | 7.4 | 0.97 |
| 11 | AA-077 () | 5200 | 1.5 | 11.0 | 7.2 | 1.00 |
| 15 | AA-130 () | 3420 | 2.0 | 14.6 | 7.2 | 0.97 |
| 18.5 | AA-210 | 2950 | 2.9 | 19.4 | 6.7 | 1.05 |
| 22 | AA-240 | 2950 | 3.5 | 22.7 | 6.4 | 1.03 |
| 37 | AA-420 | 2950 | 6.2 | 38.2 | 6.1 | 1.03 |
| 45 | AA-480R | 2950 | 7.1 | 47.5 | 6.7 | 1.05 |
| 55 | AA-600R | 2950 | 9.1 | 57.6 | 6.3 | 1.05 |
| 75 | AA-780R | 2950 | 11.9 | 73.3 | 6.1 | 0.98 |
| 90 | AA-1030R | 2950 | 15.7 | 104.5 | 6.6 | 1.08 |
| 110 | AA-1200R | 2950 | 19.4 | 115.5 | 5.9 | 1.05 |
| 132 | AA-1320 | 2950 | 21.4 | 139.5 | 6.5 | 1.06 |
| 160 | AA-1560 | 2950 | 23.9 | 151.6 | 6.3 | 0.95 |
| 185 | AA-1900R | 2950 | 29.8 | 186.6 | 6.2 | 1.01 |
| 250 | AA-2600 | 2950 | 40.7 | 260.6 | 6.4 | 1.04 |
| 315 | AA-3300 | 2950 | 50.0 | 323.4 | 6.4 | 1.03 |
| 355 | AA-5600G | 1450 | 60 | 376 | 6.26 | 1.06 |



6.0~13.0 bar.g

-
-
-

(8 bar.g)

| (kW) | | (rpm) | (m ³ /min) | (kW) | (kW/m ³ /min) | S.F. |
|------|------------|-------|-----------------------|-------|--------------------------|------|
| 7.5 | AB-077 () | 3420 | 1 | 7.3 | 7.4 | 0.97 |
| 11 | AB-077 () | 5200 | 1.5 | 11 | 7.2 | 1 |
| 15 | AB-130 () | 3420 | 2 | 14.6 | 7.2 | 0.97 |
| 18.5 | AB-210 | 2950 | 2.9 | 19.4 | 6.7 | 1.05 |
| 22 | AB-240 | 2950 | 3.5 | 22.7 | 6.4 | 1.03 |
| 30 | AB-350RS | 2950 | 4.7 | 33.1 | 7.1 | 1.1 |
| 37 | AB-420 | 2950 | 6.2 | 38.2 | 6.1 | 1.03 |
| 45 | AB-480R | 2950 | 7.1 | 47.5 | 6.7 | 1.05 |
| 55 | AB-600R | 2950 | 9.1 | 57.6 | 6.3 | 1.05 |
| 75 | AB-780R | 2950 | 11.9 | 73.3 | 6.1 | 0.98 |
| 75 | AB-830 | 2950 | 12.9 | 80.6 | 6.2 | 1.07 |
| 90 | AB-1030R | 2950 | 14.8 | 95 | 6.4 | 1.08 |
| 110 | AB-1200R | 2950 | 19.4 | 115.5 | 5.9 | 1.05 |
| 132 | AB-1320 | 2950 | 21.4 | 139.5 | 6.5 | 1.06 |
| 132 | AB-1450R | 2950 | 21.8 | 135.8 | 6.2 | 1.03 |
| 160 | AB-1560 | 2950 | 23.9 | 151.6 | 6.3 | 0.95 |
| 160 | AB-1560R | 2950 | 24 | 151.6 | 6.3 | 0.95 |
| 185 | AB-1900R | 2950 | 29.8 | 186.6 | 6.2 | 1.01 |
| 250 | AB-2600 | 2950 | 40.7 | 260.6 | 6.4 | 1.04 |
| 315 | AB-3300 | 2950 | 50 | 323.4 | 6.4 | 1.03 |



6.0~10.0 bar.g

(8 bar.g)

| (kW) | | (rpm) | (m ³ /min) | (kW) | (kW/m ³ /min) | |
|------|---------|-------|-----------------------|------|--------------------------|---|
| 7.5 | AC-077 | 3600 | 1.03 | 7.3 | 7.09 | / |
| 11 | AC-077 | 5200 | 1.59 | 11.0 | 6.92 | / |
| 11 | AC-130 | 3000 | 1.92 | 12.7 | 6.61 | / |
| 15 | AC-130 | 3600 | 2.34 | 15.6 | 6.67 | / |
| 15 | AC-160E | 3000 | 2.30 | 15.0 | 6.52 | |
| 22 | AC-240 | 3000 | 3.59 | 23.0 | 6.41 | |
| 30 | AC-420S | 3000 | 4.50 | 31.0 | 6.89 | |
| 37 | AC-420 | 3000 | 6.28 | 38.9 | 6.19 | |

-
-
-
-



6.0~10.0 barg

(8 bar.g)

| (kW) | | (rpm) | (m ³ /min) | (kW) | (kW/m ³ /min) | S.F. |
|------|-------------------|-------|-----------------------|------|--------------------------|------|
| 7.5 | AB-077PLUS () | 3420 | 1.0 | 7.3 | 7.4 | 0.97 |
| 11 | AB-077PLUS () | 5200 | 1.5 | 11.0 | 7.2 | 1.00 |
| 15 | AB-130PLUS () | 3420 | 2.0 | 14.6 | 7.2 | 0.97 |
| 22 | AB-240PLUS | 2950 | 3.5 | 22.7 | 6.4 | 1.03 |
| 37 | AB-420PLUS | 2950 | 6.2 | 38.2 | 6.1 | 1.03 |

➤ AB () AC

➤

➤



6.0~13.0 bar.g

(8 bar.g)

| (kW) | | (rpm) | (m ³ /min) | (kW) | (kW/m ³ /min) | |
|------|--------|-------|-----------------------|------|--------------------------|---|
| 7.5 | AD-077 | 3600 | 1.03 | 7.3 | 7.09 | / |
| 11 | AD-077 | 5200 | 1.59 | 11.0 | 6.92 | / |
| 11 | AD-130 | 3000 | 1.92 | 12.7 | 6.61 | / |
| 15 | AD-130 | 3600 | 2.34 | 15.6 | 6.67 | / |
| 18.5 | AD-210 | 3000 | 2.9 | 19.4 | 6.7 | / |
| 22 | AD-210 | 3500 | 3.45 | 23.4 | 6.78 | / |
| 30 | AD-420 | 2400 | 5.00 | 30.8 | 6.16 | / |
| 37 | AD-420 | 3000 | 6.28 | 38.9 | 6.19 | / |



/





17.0~35.0 bar.g

| | (rpm) | (bar.g) | (m ³ /min) | (kW) | (bar.g) |
|----------------|-------|---------|-----------------------|-------|---------|
| AA-040H () | 2950 | 6.4 | 0.8 | 17~33 | 30~40 |
| AA-140H () | 2950 | 6.4 | 1.7 | 51~65 | 30~40 |
| AA-1200RH | 2950 | 0 | 17.6 | 158.8 | 17 |
| AA-1900RH | 2950 | 0 | 28.2 | 252 | 17 |

➤ 20CrMrTi ()

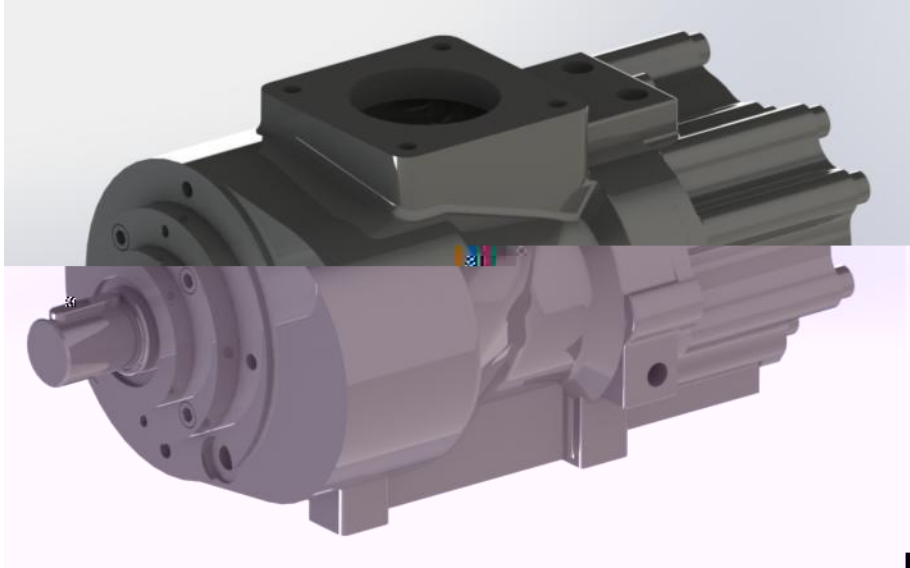
5:6

➤



17.0~35.0 bar.g

| | (rpm) | (m ³ /min) | (kW) | (bar.g) |
|----------|-------|-----------------------|------|---------|
| AA-600BX | 1490 | | | |
| | | | | |
| | | | | |



3.0~5.5 bar.g

(5 bar.g)

| (kW) | | (rpm) | (m ³ /min) | (kW) | (kW/m ³ /min) |
|------|----------|-------|-----------------------|------|--------------------------|
| 15 | AB-240L | 2950 | 3.63 | 15.7 | 4.33 |
| 22 | AB-350RL | 2950 | 5.58 | 25.9 | 4.64 |
| 22 | AB-420L | 2950 | 6.33 | 28.9 | 4.57 |
| 30 | AB-480RL | 2950 | 7.72 | 34.4 | 4.46 |
| 37 | AB-600RL | 2950 | 9.26 | 47.2 | 5.10 |
| 45 | AB-780RL | 2950 | 12 | 55.5 | 4.63 |
| 55 | AB-830L | 2950 | | 59.6 | 4.66 |
| | | | | | |
| | | | | | |
| | | | | | |
| | | | | | |
| | | | | | |
| | | | | | |
| | | | | | |
| | | | | | |
| | | | | | |



3.0~5.5 bar.g

(5 bar.g)

| (kW) | | (rpm) | (m ³ /min) | (kW) | (kW/m ³ /min) |
|------|-------------|-------|-----------------------|-------|--------------------------|
| 45 | AB-1030 B1L | 1490 | 11.5 | 49.1 | 4.27 |
| 55 | AB-1030 B2L | 1490 | 15.9 | 69.7 | 4.38 |
| 75 | AB-1030 B3L | 1490 | 18.7 | 83.5 | 4.46 |
| 90 | AB-1560 B2L | 1490 | 21.6 | 99.1 | 4.59 |
| 110 | AB-1560 B3L | 1490 | 24.3 | 114.1 | 4.72 |
| | AB-3300 B1L | 1490 | 27.9 | 123.4 | 4.42 |
| 132 | AB-3300 B2L | 1490 | 32.3 | 142.9 | 4.43 |
| 150 | AB-3300 B3L | 1490 | 36.0 | 160.2 | 4.45 |
| 160 | AB-3300 B4L | 1490 | 40.7 | 183.2 | 4.50 |
| | AB-5600 B1L | 1490 | 41 | 172.6 | 4.21 |
| 185 | AB-5600 B2L | 1490 | 45.3 | 196.1 | 4.34 |
| 200 | AB-5600 B3L | 1490 | 50.1 | 222.6 | 4.44 |
| 220 | AB-5600 B4L | 1490 | 54.4 | 243.1 | 4.47 |
| 250 | AB-5600 B5L | 1490 | 61.8 | 279.1 | 4.52 |

➤ 5:6

➤

➤

➤

➤



Address No. 108, JianGong Rd., Feng

108